

# 3LCD Projector LH-WX370UST

## ■ Specifications

<b>1. Product classification</b>	
Product name	Projector
Image device, Number of devices	Transmissive liquid crystal panel (LCD), 3 chips
Projection lens	Built in
<b>2. Image device</b>	
Number of pixels	1280x800 (WXGA)
Size	0.64 type
Aspect ratio	16:10
<b>3. Light source</b>	
Type	HLD LED
<b>4. Image</b>	
Optical system	Three primary colors liquid crystal shutter projection system
Light output	3700 (Image mode: presentation)
Marginal Illumination ratio	75 %
Contrast ratio	10,000 : 1 Fully white : Fully black, Image mode: presentation ** Dynamic contrast: On
Electrical zoom	1.6 times maximum
Keystone adjustment range	Vertical ±5° Horizontal ±5°

## 5. Connecting terminals and input/output signals

Video signals	Mini D-sub 15-pin	Analog PC (WUXGA/FHD/UXGA/WSXGA+/SXGA+/SXGA/WXGA+WXGA/XGA/SVGA/ VGA/Mac16") Component video(1080p/1080i/720p/576p/576i/480p/480i)
	HDMI x 2	Digital PC (WUXGA/FHD/UXGA/WSXGA+/SXGA+/SXGA/WXGA+WXGA/XGA/SVGA/ VGA/Mac16") Digital Video (1080p/1080i/720p/576p/576i/480p/480i)
	RCA	Video input
Other terminals and connectors	RJ-45	Network connection (100 Base-TX (100Mbps)/10 Base-T (10Mbps)、 Network Display)
	USB Type B	USB connection(USB Display、 Service port)
	USB Type A	USB connection(Memory Viewer) Power supply (5v / Max 1.5A)
	Dsub 9	RS-232 connection
	Mini D-sub 15-pin	Analog video output
	Mini jack	Audio input
	Mini jack	Audio output
	2RCA	Audio input

<b>6. Mechanics</b>	
<b>Zoom</b>	Fixed
<b>Focus</b>	Focus lever A: Center (manual) Focus lever B: Corner (manual)
<b>Lens shift</b>	Fixed
<b>Adjustable feet</b>	Front: 2 locations Maximum angle of inclination: 4°
<b>Fixed feet</b>	Rear: 1
<b>Dimensions</b>	
<b>Total length</b>	W: 408 mm, H: 173 mm, D: 428 mm (W: 16.1 inch, H: 6.8 inch, D:16.9 inch)
<b>Not including protrusion</b>	W: 408 mm, H: 169 mm, D: 428 mm (W: 16.1 inch, H: 6.7 inch, D:16.9 inch)
<b>Weight</b>	approx.10kg
<b>Noise level</b>	39 / 33 dB
<b>Air inlet vent</b>	Two on the left side (Air filter mount, 1 location)
<b>Exhaust vent</b>	One on the right side
<b>7. Others</b>	
<b>Infrared receiver</b>	left side: 1, rear side: 1
<b>Internal speaker</b>	Monaural: 16 W
<b>Rated power supply voltage</b>	AC100—240 V, 50/60 Hz
<b>Maximum power consumption</b>	525 / 295 W (except Eco / Eco)
<b>Standby power consumption</b>	0.4/2 W (LAN OFF/ON)
<b>Operation environment</b>	0°C — 40°C , 10%RH - 85%RH
<b>Storage environment</b>	-20°C — 60°C

## ■Projection specifications

### 1.Projection lens

<b>F number</b>	F1.7
<b>Focal length</b>	2.9mm
<b>Zoom magnification</b>	1.0x (Fixed)
<b>Operation</b>	Zoom: fixed, Focus: manual

### 2.Projection capability

<b>Image size</b>	80" – 120"
<b>Projection distance</b>	0.0-18.4cm
<b>Throw ratio (60 inches)</b>	0.238:1

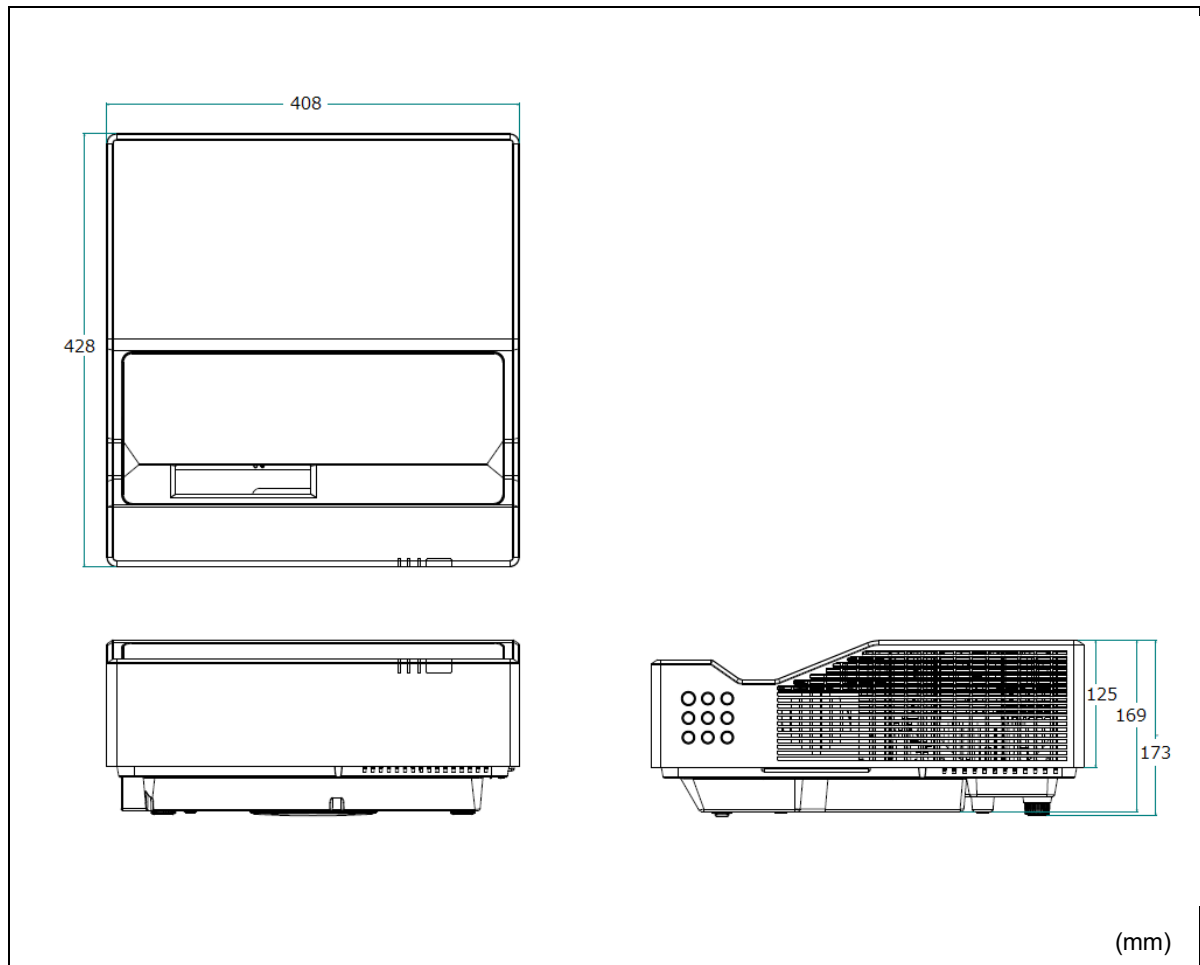
### 3. Image Size and Throw distance

The following lists the projection distances when projecting an image that corresponds to an aspect ratio of the image device.

Image size (16:10)			Throw distance
Diagonal [type]	Width [cm]	Height [cm]	L [cm]
80	172	108	0.0 (*1)
85	183	114	2.6
90	194	121	4.9
95	205	128	7.1
100	215	135	9.4
110	237	148	13.9
120	259	162	18.4

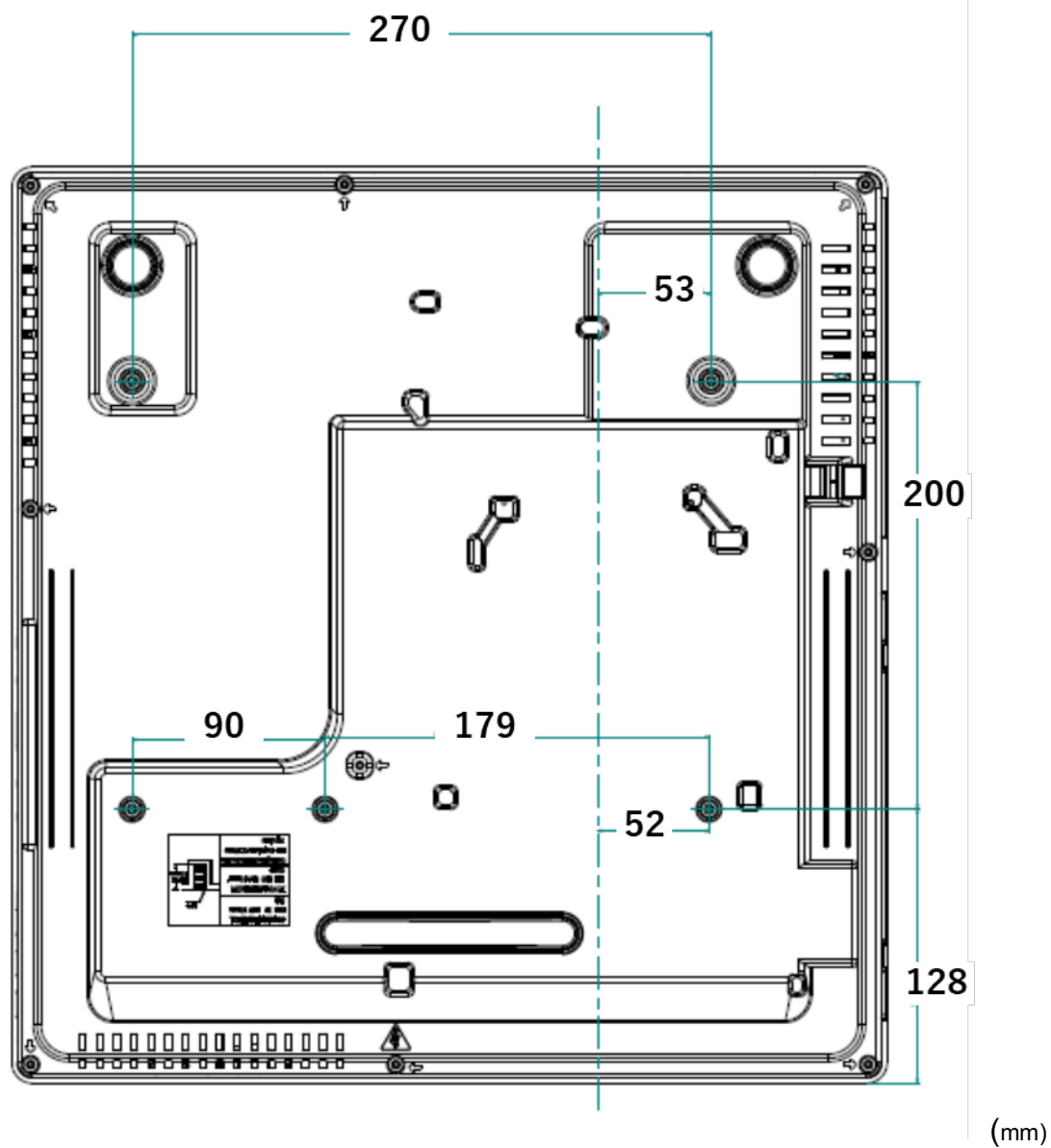
The distances listed on the table have been rounded off and are therefore approximate values.

## ■Product Appearance



Dimensions	W: 408 mm, H: 173 mm, D: 428 mm (16.1 x 6.8 x 16.9 inches) (Including protrusion)
Weight	Approx. 10kg

•Screw holes for ceiling mount: 5 (M4)



## ■Accessories

Main Supplied Accessories	Remote control LV-RC12	Power supply: DC 3.0V (with two AAA batteries) Communication range: approx.8 m within ±30 degrees of the receiver
	Air filter LH-FL01	This filter is installed at the air intake to prevent dust from entering.
	Power Cord	Connects the unit to a power source.
	Computer cable	mini Dsub15-mini Dsub15 This is used for connection with computer. This transmits analog PC signals.
Optional Parts	Remote control LV-RC12	Same as the supplied remote.
	Air filter LH-FL01	Same as the supplied remote.

## ■Precautions For Use

- Do not look into the projection lens while it is projecting.**

The projector emits very bright light, which may damage your vision.

- Do not place objects in front of the lens while projecting.**

Objects may heat up and burn if exposed to the concentrated light of the projector for long periods.

- Do not block the vent (intake air & exhaust) while the projector is running.**

The heat accumulates inside, causing malfunctions with the raising temperature, accelerating the degradation of optical components.

- In highlands(\*1) with low atmospheric pressure, use with the following setting.**

To prevent internal overheat, set the "High altitude" function "On".

\*1: 1400m or more above sea level

20200110