

LCD Projector LV-X350

■ Specifications

1. Product classification	
Product name	Projector
Image device, Number of devices	Transmissive liquid crystal panel (LCD), 3 chips
Projection lens	Built in
2. Image device	
Number of pixels	1024x768 (XGA)
Size	0.63 type
Aspect ratio	4:3
Micro lens array	not attached
3. Light source	
Type	Super-high pressure lamp for projectors
Power consumption	Changed with the lamp mode setting (Normal/Eco) 225 / 150 W
4. Image	
Optical system	Three primary colors liquid crystal shutter projection system
Light output	When Image Mode setting is Presentation Changed with lamp mode (Normal / Eco) 3500 / 2275 lm ** Brightness of Eco setting is a calculated value, and is not guaranteed as a specification.
Marginal lumination ratio	80 %
Contrast ratio	Fully white : Fully black, Image mode: presentation 15,000 : 1 ** Iris: On, Lamp mode: Normal
Electrical zoom	1.6 times maximum
Keystone adjustment range	Vertical ±30° Horizontal ±15°

5.Connecting terminals and input/output signals

HDMI(1)(2) Digital PC input	(Audio input support) WUXGA/FHD/WSXGA+/UXGA/SXGA+/WXGA+/FWXGA/ WXGA/ SXGA/XGA/SVGA/VGA/Mac16
Digital video input	1080p/1080i/720p/576p/480p/576i/480i
Mini Dsub15 (input) Analog PC input	WUXGA/FHD/WSXGA+/UXGA/SXGA+/WXGA+/FWXGA/ WXGA/ SXGA/XGA/SVGA/VGA/Mac16
Component video input	1080p/1080i/720p/576p/576i/480p/480i
Mini Dsub15 (output)	Outputs input signals to mini D-sub 15 (input)
RCA Composite viode input	NTSC/NTSC4.43/PAL60/PAL-M/PAL/PAL-N/SECAM
2RCA Mini jack Mini jack	Stereo audio input Stereo audio input Stereo audio output
RJ-45 Network connection	Network (100BASE-TX/10BASE-T) PC screen transfer ** This is operated through “pwPresenter” running on a PC
USB Type A USB data transfer	Only for USB memory Still image: JPG/GIF/PNG/TIF/BMP Movie: AVI PDF
USB Type B USB data transfer	PC screen transfer ** This is operated through dedicated software running on a PC Firmware version up
Dsub9 RS-232 connection	User commands

6. Mechanics

**Zoom
Focus**

Zoom ring: manual
Focus ring: manual

Lens shift

Fixed

Adjustable feet

Front: 1
Maximum angle of inclination: 10°, Extension length: 42 mm

Fixed feet

Rear: 2

Dimensions

Total length

W: 345 mm, H: 99 mm, D: 261 mm

Not including protrusion

W: 345 mm, H: 94 mm, D: 261 mm

Weight

approx.3.2 kg

Noise level

Changed with lamp mode (Normal / Eco)
37 / 30 dB

Air inlet vent

One on the right side (air filter is attached), two on the bottom

Exhaust vent

One on the left side

7. Others

Infrared receiver

Front side: 1, rear side: 1

Internal speaker

Monaural: 10 W

Rated power supply voltage

AC100—240 V, 50/60 Hz

**Maximum power
consumption**

Changed with lamp mode (Normal / Eco)
310 / 217 W

** The value of Eco setting is only a calculated value, and is not guaranteed as specification.

**Standby power
consumption**

Changed with stand-by mode setting

Eco	0.4 W
Wake on LAN	2.0 W

Operation environment

0°C — 40°C , 20%RH - 85%RH

Storage environment

-20°C — 60°C

■Projection specifications

1.Projection lens

F number	F1.6 – F1.76
Focal length	19.2 – 23.0 mm
Zoom magnification	1.2x
Operation	Zoom, Focus: manual

2.Projection capability

Image size	30" – 300"
Projection distance	Wide: 0.89 – 9.10, Tele: 1.07 m – 10.94 m
Throw ratio (60 inches)	Wide: 1.48:1, Tele: 1.78:1

3. Image Size and Projection distance

Using an optical zoom function, it displays an image in the same size in a projection distance between L(W) and L(T).

L(W): Projection distance at Wide end

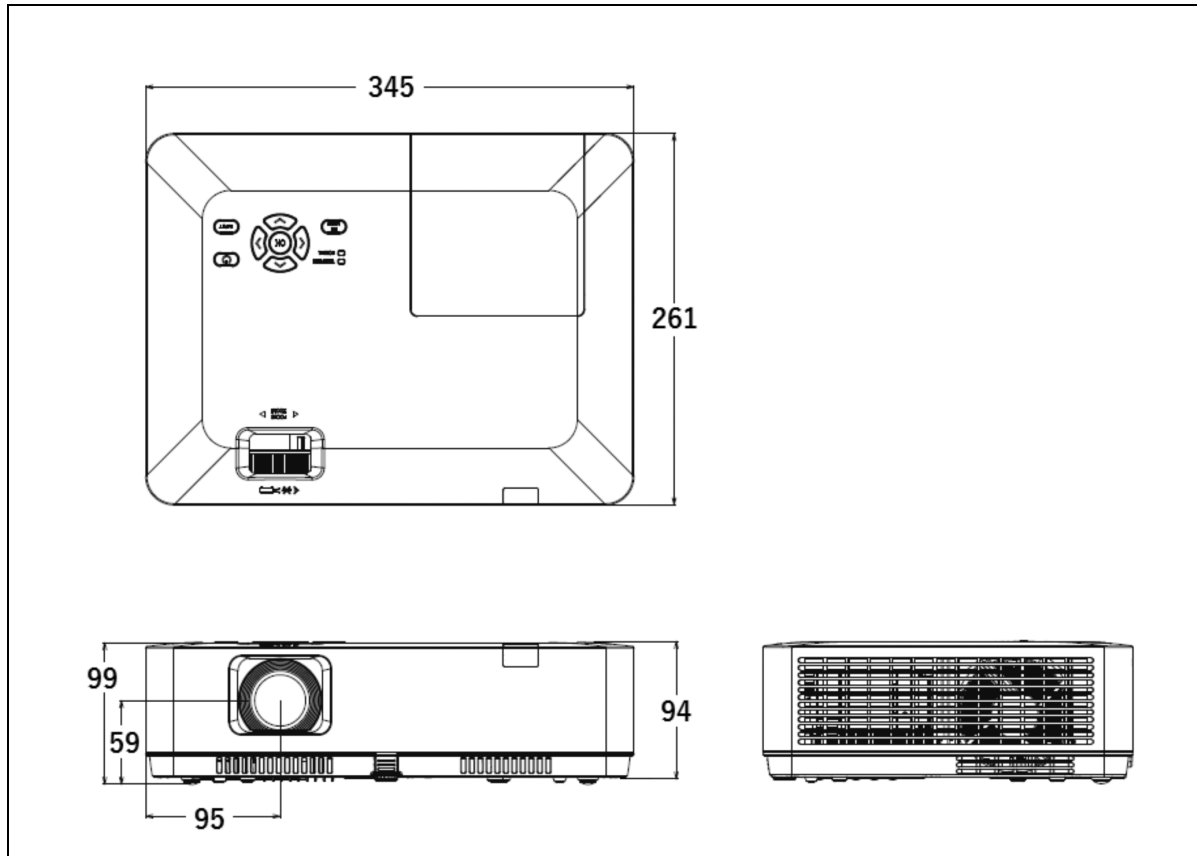
L(T): Projection distance at Tele end

The following lists the projection distances when projecting an image that corresponds to an aspect ratio of the image device.

Image size (4:3)			Projection distance	
Diagonal [type]	Width [cm]	Height [cm]	L(W) [m]	L(T) [m]
30	61	46	0.89	1.07
60	122	91	1.80	2.12
80	163	122	2.41	2.90
100	203	152	3.02	3.63
150	305	229	4.54	5.46
200	406	305	6.06	7.28
250	508	381	7.58	9.11
300	610	457	9.10	10.94

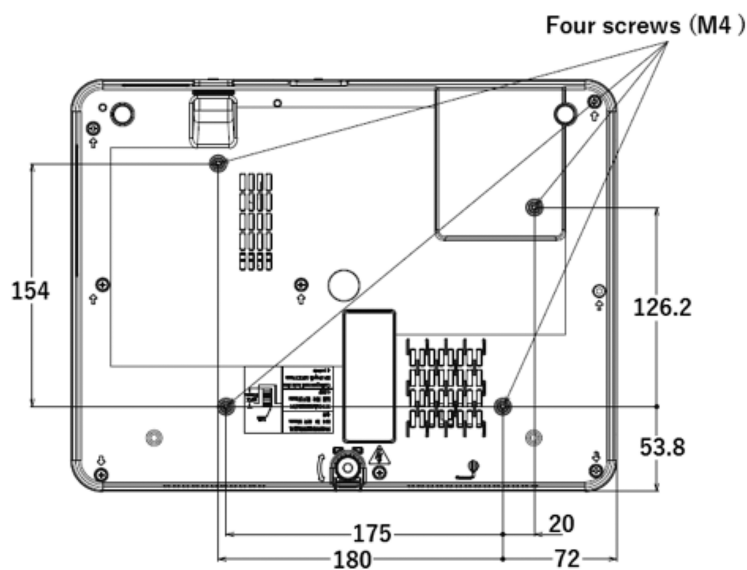
The distances listed on the table have been rounded off and are therefore approximate values.

■Product Appearance



Dimensions	W: 345 mm, H: 99 mm, D: 261 mm (13.6 x 3.9 x 10.3 inches)
Lens center	95 mm from the right side ("front" is the side where lens is attached.) 59 mm from the installed surface
Weight	Approx.3.2 kg

- Screw holes for ceiling mount: 4 (M4)



■Accessories

Main Supplied Accessories	Remote control LV-RC12	Power supply: DC 3.0V (with two AAA batteries) Communication range: approx.8 m within ± 30 degrees of the receiver
	Power Cord	Connects the unit to a power source.
	Computer cable	mini Dsub15-mini Dsub15 This is used for connection with computer. This transmits analog PC signals.
Optional Parts	Remote control LV-RC12	Same as the supplied remote.
Replacement Parts	Lamp Assembly LV-LP43	Super High Pressure Lamp for projectors Recommended lamp replacement time (*1) 10000 hours / 20000 hours (Normal / Eco)
	Replacement air filter LV-FL01	This filter is installed at the air intake to prevent dust from entering.

*1: This time means to keep a 50% survival rate and a 50% brightness-maintenance rate.
This value does not guarantee the service life of the lamp.

■Precautions For Use

- Do not look into the projection lens while it is projecting.**

The projector emits very bright light, which may damage your vision.

- Do not place objects in front of the lens while projecting.**

Objects may heat up and burn if exposed to the concentrated light of the projector for long periods.

- Do not block the vent (intake air & exhaust) while the projector is running.**

The heat accumulates inside, causing malfunctions with the raising temperature, accelerating the degradation of optical components.

- Replace the lamp as soon as possible if the lamp burns out or if the replacement time is reached.**

The projector uses a high-pressure mercury lamp as its light source. This lamp degrades over time and becomes dimmer as it is used. Furthermore, the possibility of the lamp bursting as it is used is extremely high.

If the lamp should burst, return the projector to your local service center to have the lamp replaced and the unit inspected.

* There is a less than half probability of the lamp bursting before the lamp replacement time is reached. Normally it is most likely that the lamp will not burst before the replacement time. Even if the lamp does burst, the number of hours the lamp can be used before that happens varies depending on each lamp. Although extremely minute flaws that may occur during production have been suspected as the cause of the individual differences in the hours of use before a lamp bursts, there is no way to predict this period with accuracy.

- In highlands(*1) with low atmospheric pressure, use with the following setting.**

To prevent internal overheat, set the "High altitude" function "On".

*1: 1400m or more above sea level