

Interchangeable Lens for LCOS Projector RS-SL01ST

■Product Summary

This interchangeable lens is designed for Canon LCOS projector.

*The lens cannot be used by itself. It must be mounted onto the specified Canon LCOS projector (sold separately).

■Specifications

1. Basic specifications

F number	1.89-2.65
Focal length	23.0-34.5 mm
Zoom ratio	1.5x
Driving	Powered
Weight	725g
Length	175.3 mm
Fixation method	Spigot type

2. Projection performance

Image size	40-600 size
Distance	W 1.27-19.31m T 1.92-28.98m
Distance for 100" image	3.21-4.82m
Throw ratio	1.49-2.24: 1
Lens shift	V 55%/-15% H 10%/-10%

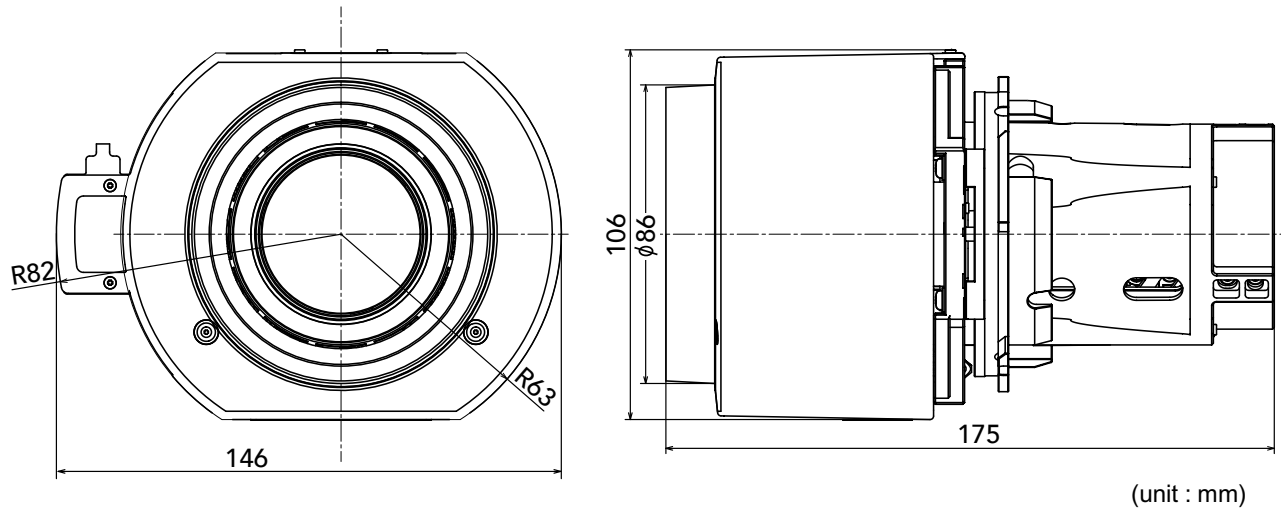
3. Image size and Projection distance

Image size (16:10)			RS-SL01ST	
Diagonal [inches]	Width [cm]	Height [cm]	L(W)[m]	L(T) [m]
40	86	54	1.27	1.92
60	129	81	1.92	2.88
80	172	108	2.56	3.85
100	215	135	3.21	4.82
120	258	162	3.85	5.78
150	323	202	4.82	7.23
200	431	269	6.43	9.65
250	538	337	8.04	12.07
300	646	404	9.65	14.48
350	754	471	11.26	16.90
400	862	538	12.87	19.31
450	969	606	14.48	21.73
500	1077	673	16.09	24.15
550	1185	740	17.70	26.56
600	1292	808	19.31	28.98

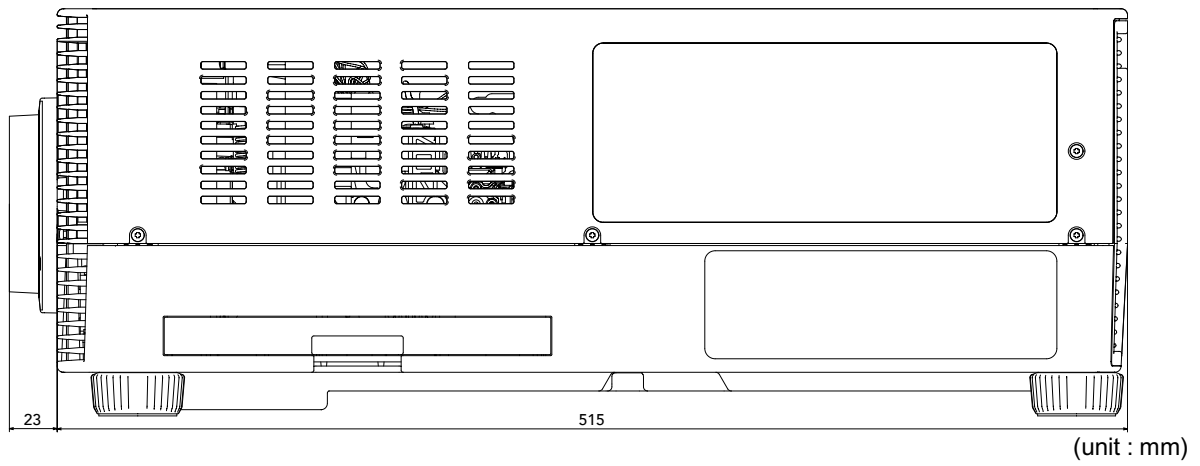
4. Applicable projector

Group A WUX7500/WUX6700/WUX5800
Group B WUX7000Z /WUX6600Z/ WUX5800Z

■Dimensions



[Group A]



[Group B]

