

Interchangeable Lens for LCOS Projector RS-SL02LZ

■Product Summary

This interchangeable lens is designed for Canon LCOS projector.

*The lens cannot be used by itself. It must be mounted onto the specified Canon LCOS projector (sold separately).

■Specifications

1. Basic specifications

F number	1.99-2.83
Focal length	34.0-57.7 mm
Zoom ratio	1.7x
Driving	Powered
Weight	925g
Length	175.3 mm
Fixation method	Spigot type

2. Projection performance

Image size	40-600 size
Distance	W 1.86-28.53m T 3.19-48.50m
Distance for 100" image	4.72-8.05m
Throw ratio	2.19:1-3.74:1
Lens shift	V 55%/-15% H 10%/-10%

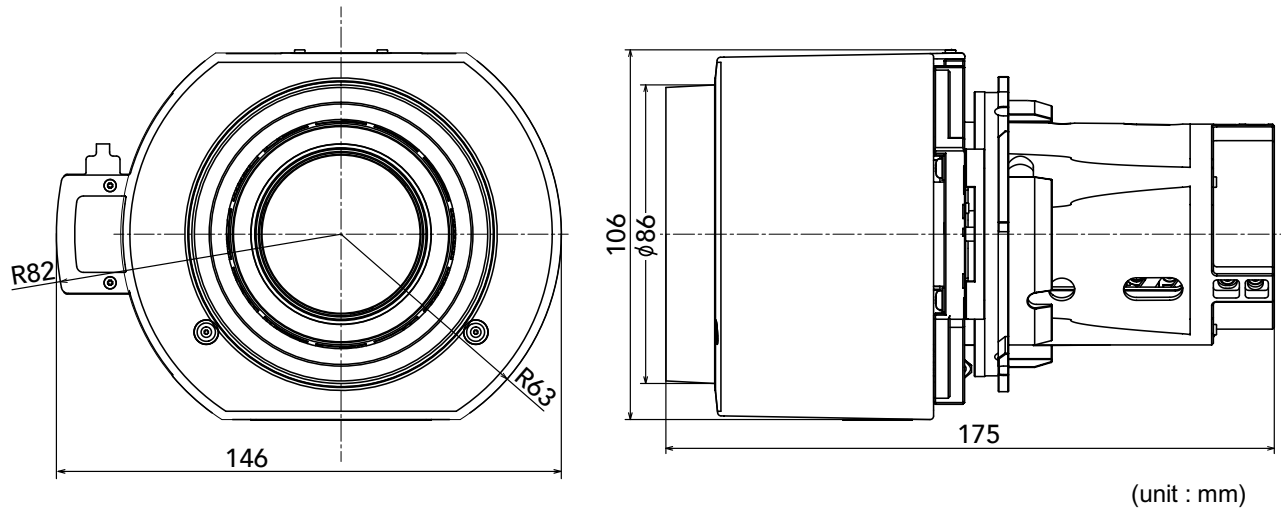
3. Image size and Projection distance

Image size (16:10)			RS-SL02LZ	
Diagonal [inches]	Width [cm]	Height [cm]	L(W)[m]	L(T) [m]
40	86	54	1.86	3.19
60	129	81	2.82	4.81
80	172	108	3.77	6.43
100	215	135	4.72	8.05
120	258	162	5.67	9.67
150	323	202	7.10	12.09
200	431	269	9.48	16.14
250	538	337	11.86	20.18
300	646	404	14.24	24.23
350	754	471	16.63	28.27
400	862	538	19.01	32.32
450	969	606	21.39	36.36
500	1077	673	23.77	40.41
550	1185	740	26.15	44.46
600	1292	808	28.53	48.50

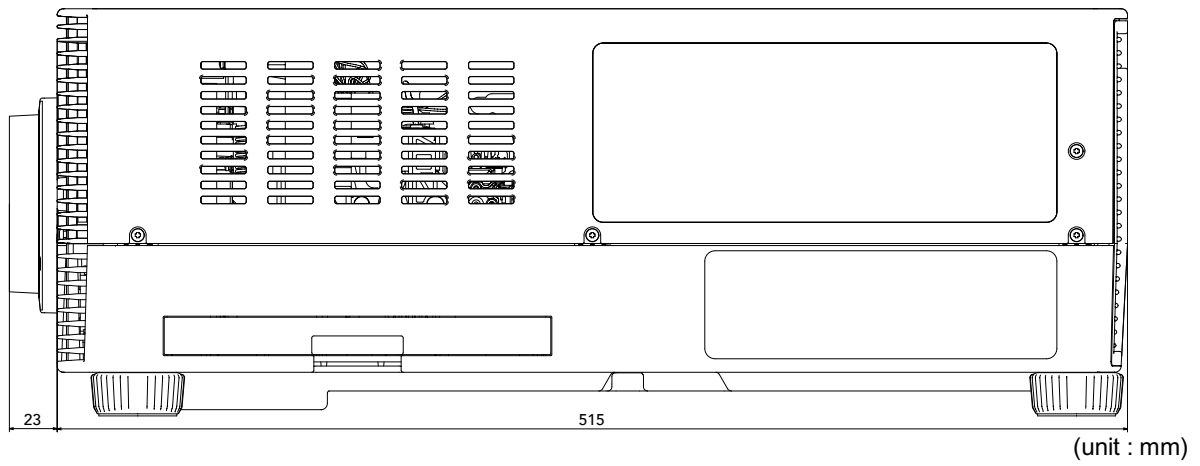
4. Applicable projector

Group A WUX7500/WUX6700/WUX5800
Group B WUX7000Z /WUX6600Z/ WUX5800Z

■Dimensions



[Group A]



[Group B]

