

Interchangeable Lens for LCOS Projector RS-SL03WF

■Product Summary

This interchangeable lens is designed for Canon LCOS projector.

*The lens cannot be used by itself. It must be mounted onto the specified Canon LCOS projector (sold separately).

■Specifications

1. Basic specifications

F number	2.0
Focal length	12.8 mm
Zoom ratio	-
Driving	Powered
Weight	1060g
Length	175.3 mm
Fixation method	Spigot type

2. Projection performance

Image size	40-300 size
Distance	0.69-5.17m
Distance for 100" image	1.73m
Throw ratio	0.80:1
Lens shift	V 11.3%/-11.3% H 4.6%/-4.6%

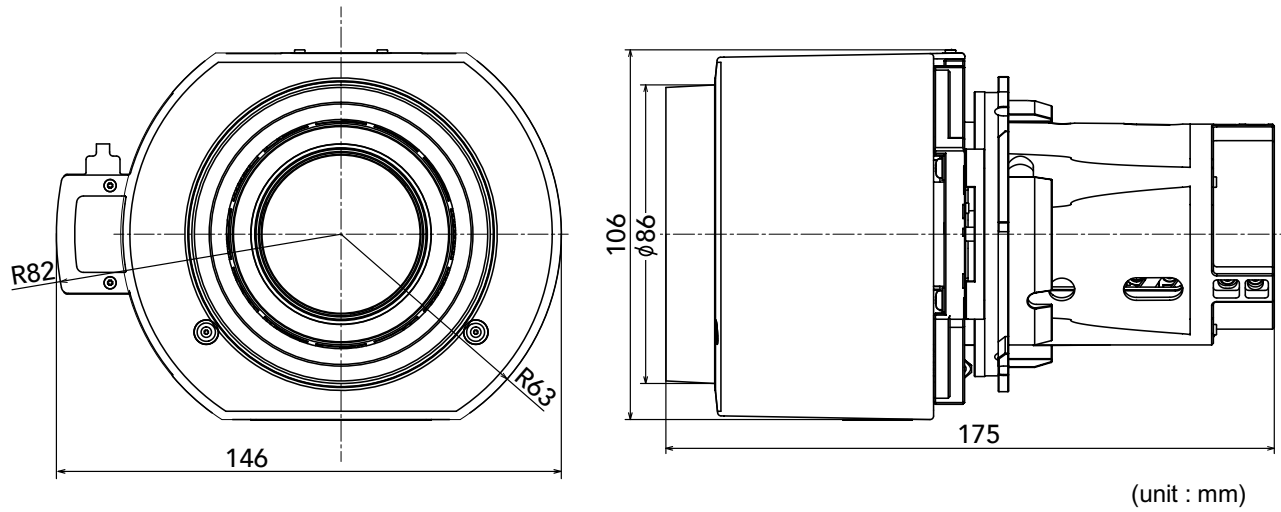
3. Image size and Projection distance

Image size (16:10)			RS-SL03WF
Diagonal [inches]	Width [cm]	Height [cm]	L[m]
40	86	54	0.69
60	129	81	1.04
80	172	108	1.38
100	215	135	1.73
120	258	162	2.07
150	323	202	2.59
200	431	269	3.45
250	538	337	4.31
300	646	404	5.17

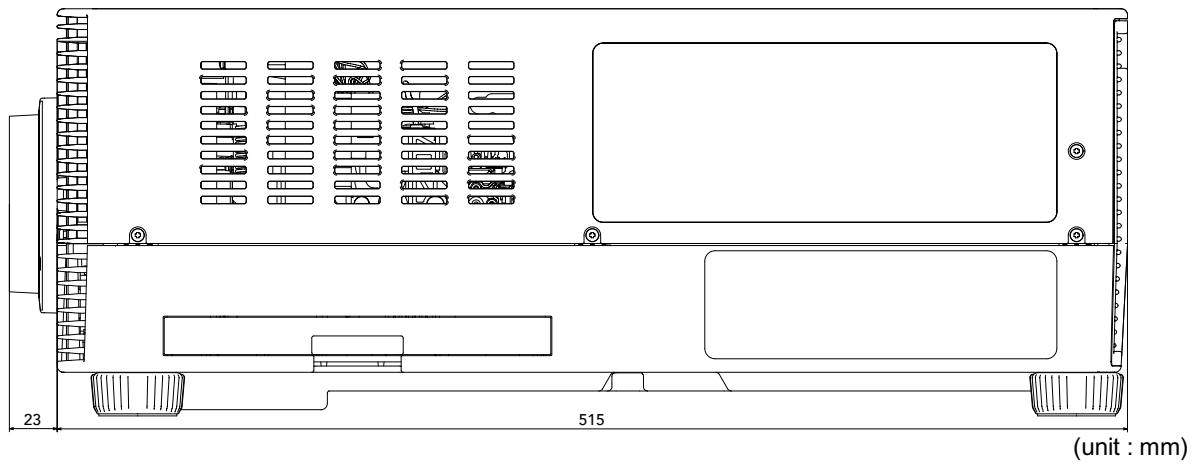
4. Applicable projector

Lamp Model	WUX7500/WUX6700/WUX5800
Laser Model	4K6021Z/4K6020Z/4K5020Z WUX7000Z /WUX6600Z/WUX5800Z

■Dimensions



[Lamp Model]



[Laser Model]

