

Interchangeable Lens for LCOS Projector RS-SL04UL

■Product Summary

This interchangeable lens is designed for Canon LCOS projector.

*The lens cannot be used by itself. It must be mounted onto the specified Canon LCOS projector (sold separately).

■Specifications

1. Basic specifications

F number	2.34-2.81
Focal length	53.6-105.6 mm
Zoom ratio	1.97x
Driving	Powered
Weight	1110g
Length	183.7 mm
Fixation method	Spigot type

2. Projection performance

Image size	60-600 size
Distance	W 4.64-45.23m T 9.01-89.02m
Distance for 100" image	7.64-14.94m
Throw ratio	3.55:1 - 6.94:1
Lens shift	V 55%/-15% H 10%/-10%

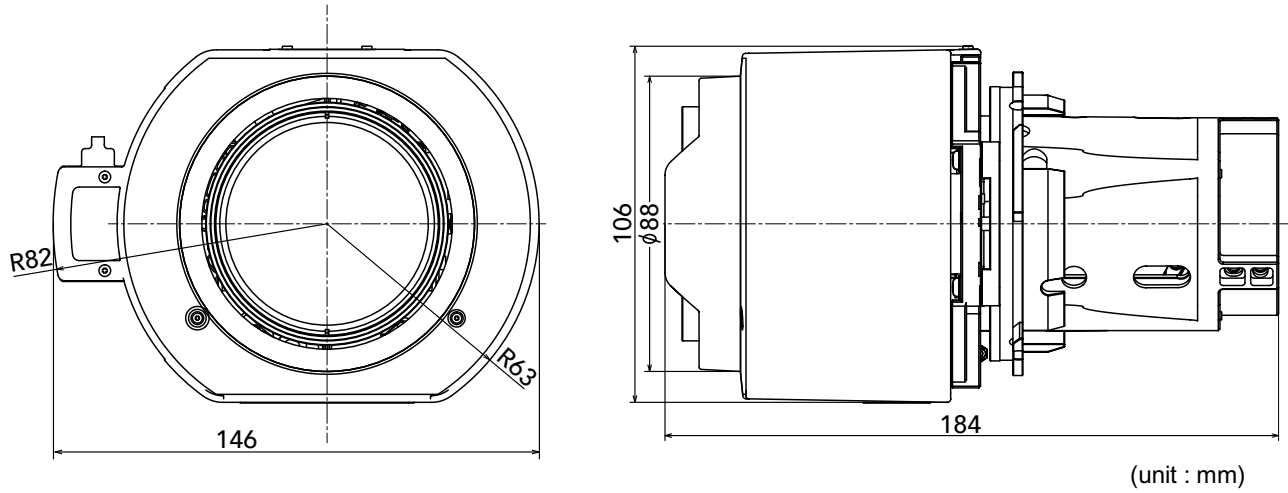
3. Image size and Projection distance

Image size (16:10)			RS-SL04UL	
Diagonal [inches]	Width [cm]	Height [cm]	L(W)[m]	L(T) [m]
60	129	81	4.64	9.01
80	172	108	6.14	11.98
100	215	135	7.64	14.94
120	258	162	9.15	17.90
150	323	202	11.40	22.35
200	431	269	15.16	29.76
250	538	337	18.92	37.16
300	646	404	22.68	44.57
350	754	471	26.44	51.98
400	862	538	30.20	59.39
450	969	606	33.95	66.80
500	1077	673	37.71	74.20
550	1185	740	41.47	81.61
600	1292	808	45.23	89.02

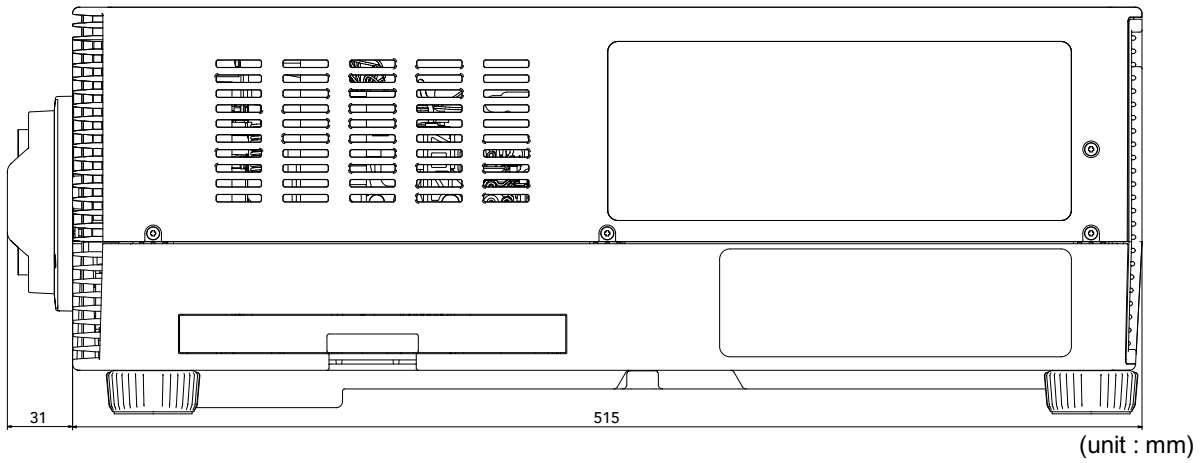
4. Applicable projector

Group A WUX7500/WUX6700/WUX5800
Group B WUX7000Z /WUX6600Z/ WUX5800Z

■Dimensions



[Group A]



[Group B]

