

# Interchangeable Lens for LCOS Projector RS-SL05WZ

## ■Product Summary

This interchangeable lens is designed for Canon LCOS projector.

\*The lens cannot be used by itself. It must be mounted onto the specified Canon LCOS projector (sold separately).

## ■Specifications

### 1. Basic specifications

F number	2.09-2.34
Focal length	15.56-23.34 mm
Zoom ratio	1.5x
Driving	Powered
Weight	1065g
Length	183.7 mm
Fixation method	Spigot type

### 2. Projection performance

Image size	40-600 size
Distance	W 0.86-12.93m T 1.28-19.52m
Distance for 100" image	2.15-3.23m
Throw ratio	1.00:1-1.50:1
Lens shift	V 55%/-15% H 10%/-10%

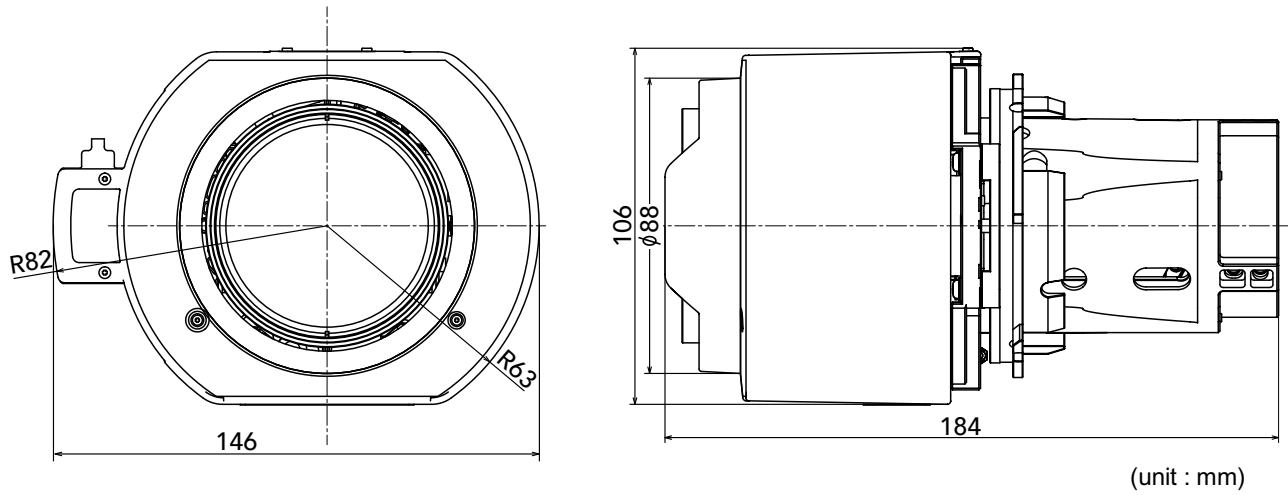
### 3. Image size and Projection distance

Image size (16:10)			RS-SL05WZ	
Diagonal [inches]	Width [cm]	Height [cm]	L(W)[m]	L(T) [m]
40	86	54	0.86	1.28
60	129	81	1.29	1.93
80	172	108	1.72	2.58
100	215	135	2.15	3.23
120	258	162	2.59	3.88
150	323	202	3.23	4.86
200	431	269	4.31	6.49
250	538	337	5.39	8.12
300	646	404	6.46	9.75
350	754	471	7.54	11.38
400	862	538	8.62	13.00
450	969	606	9.69	14.63
500	1077	673	10.77	16.26
550	1185	740	11.85	17.89
600	1292	808	12.93	19.52

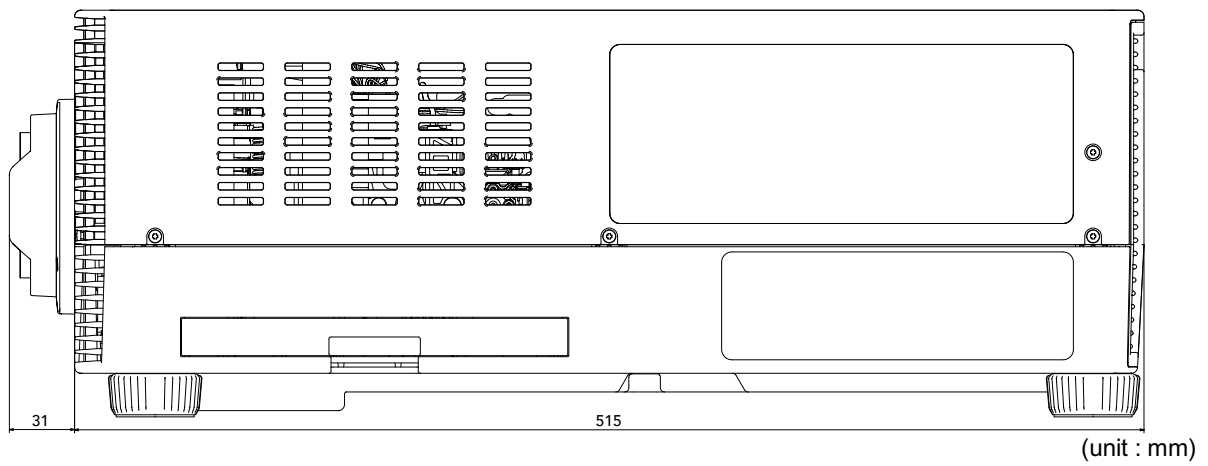
### 4. Applicable projector

Lamp Model WUX7500/WUX6700/WUX5800  
 Laser Model 4K6021Z/4K6020Z/4K5020Z  
 WUX7000Z /WUX6600Z/WUX5800Z

## ■Dimensions



## [Lamp Model]



## [Laser Model]

