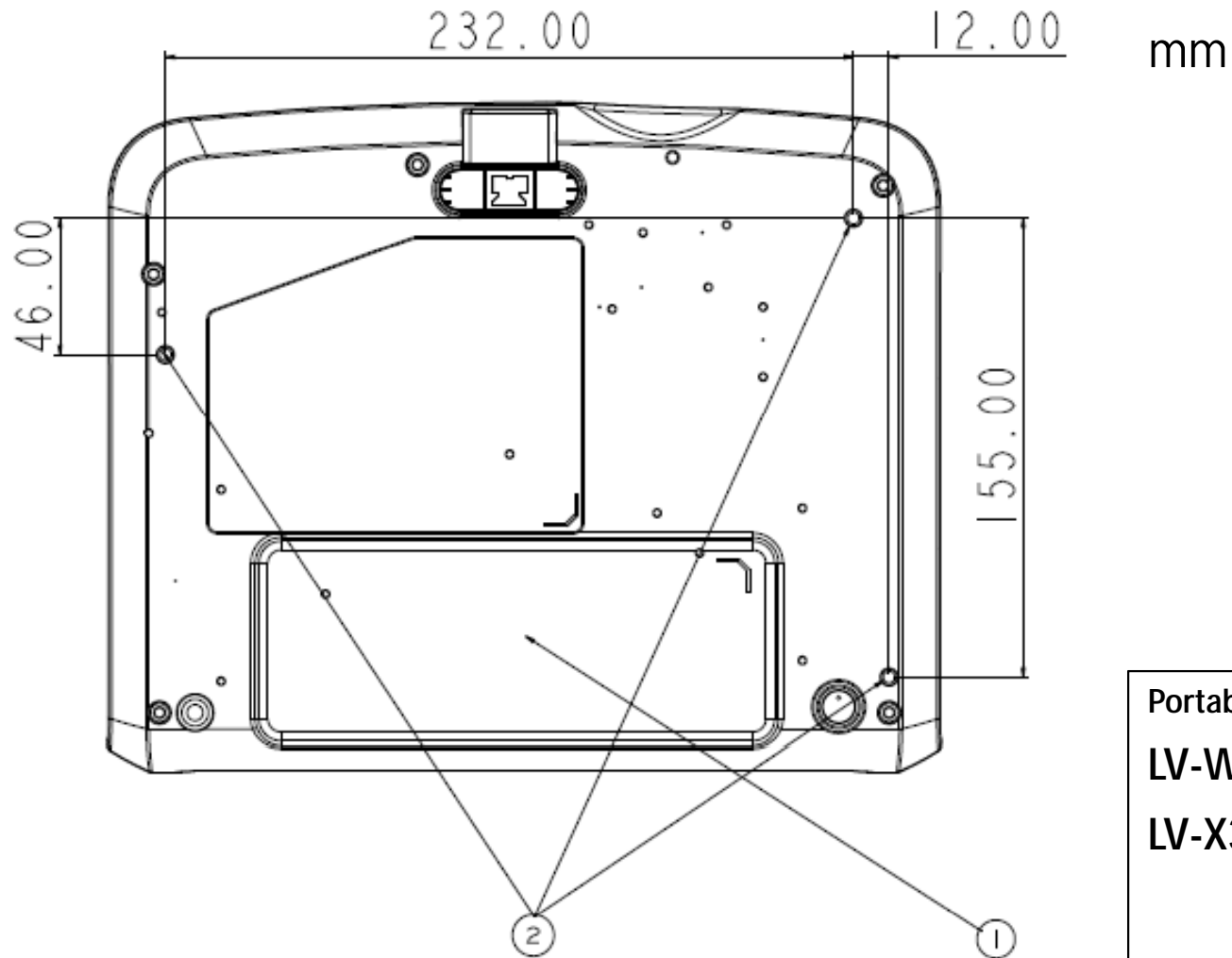


Ceiling mount location



CEILING MOUNT SCREW: M4 * MAX L 8MM

Portable Type
LV-WX300
LV-X300

Short Throw Type
LV-WX300ST
LV-X300ST